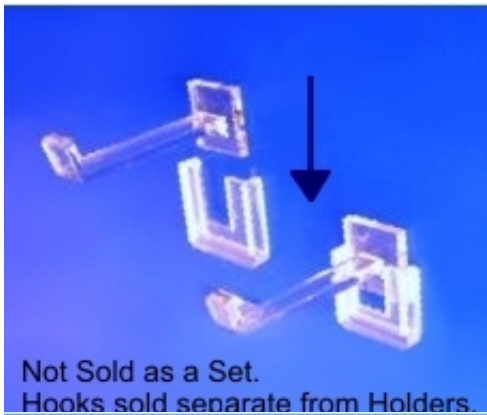


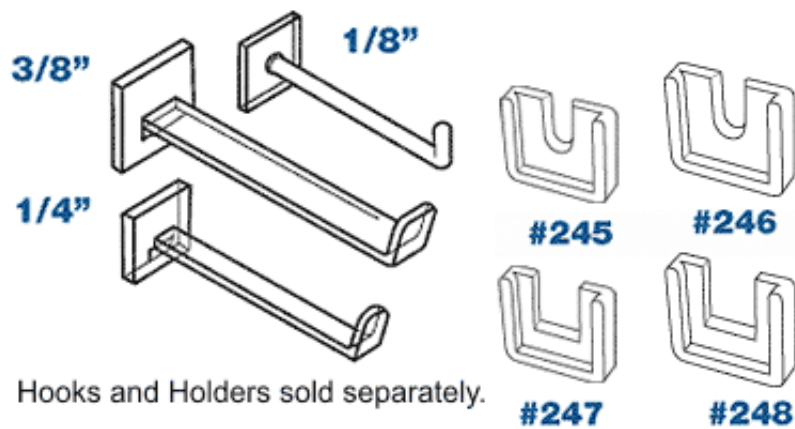
Hook Holders



Part #245 Hook Holders
~~Price Not Set~~ Yet
 Tax amount

[Ask a question about this product](#)

Description



Hook Holders

#245 - use for Hooks: #240-1, #240-1Q

Note: Not sold as a set, hooks are sold separately.

Material: Bondable Polyester (Hooks), Acrylic (Holders)

Solvent Bondable: Acrylic, ABS, Styrene and Polycarbonate

Color: Clear

Strength: Virtually unbreakable

Part No.	Product	100	
240-1	1/8" Round Hook, 1"	.186	.079
240-1Q	1/8" Round Hook, 1 1/4"	.174	.073
240-1H	1/8" Round Hook, 1 1/2"	.196	.083
240-2	1/8" Round Hook, 2"	.207	.087
240-3	1/8" Round Hook, 3"	.34	.143
241-1H	1/4" Flat Hook, 1 1/2"	.197	.083
241-2	1/4" Flat Hook, 2"	.197	.083
242-1H	3/8" Flat Hook, 1 1/2"	.197	.083
242-2	3/8" Flat Hook, 2"	.222	.094
242-2H	3/8" Flat Hook, 2 1/2"	.213	.09
242-3	3/8" Flat Hook, 3"	.242	.102
245	Hook Holder: for 1/8" Round Hook, 1" and 1 1/4"	.248	.104
246	Hook Holder: for 1/8" Round Hook, 1 1/2" and 2"	.296	.125
247	Hook Holder: for 1/4" and 3/8" Flat Hook, 1 1/2" and 2"	.288	.121
248	Hook Holder: for 3/8" Flat Hook, 2 1/2" and 3" (Round)	.296	.125

Units in box: 100

// //