

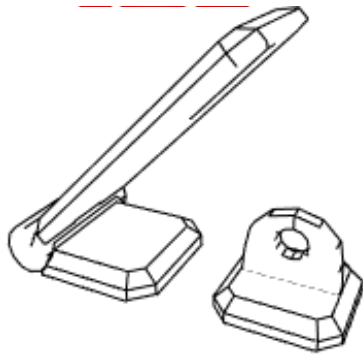
# Hasp



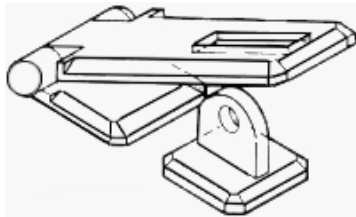
Part # 30C Acrylic DR101: Clear, ABS: Black  
Balance Not Set Yet  
Tax amount

[Ask a question about this product](#)

Description  
**Acrylic Hasps – Secure Plastic Hardware for Fabricators**



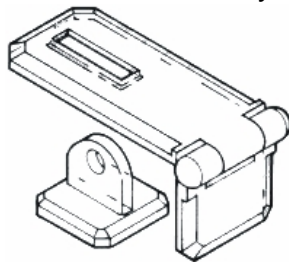
**Material:** Acrylic DR101 (Clear), ABS (Black)



**Reversible Locking System:** Bottom section of hasp is reversible for either corner or flat mounting. Predetermine assembly before inserting pin completely!

**Decorative:** Faceted edges enhance appearance of display or box.

**Thick Wall:** Heavy wall thickness for maximum tensile strength.



**Size:** 2-3/8" L x 1-1/16" W x .16" T (60 mm x 27 mm x 4

mm), Hole size 0.214"

### Product Overview

Our acrylic hasps are crafted from high-quality clear acrylic and black ABS, designed to provide secure closure for display cases, enclosures, and custom plastic projects. Their sleek, transparent design ensures your displays remain professional and unobstructed. [Plastic Hasp.](#)

### Key Features of Our Acrylic Hasps

- Made from durable, UV-resistant acrylic DR101 and ABS
- Easy to install with standard hardware
- Compatible with a wide range of acrylic and plastic panels
- Available in Clear or Black, to fit your project needs

### Common Applications

Acrylic hasps are ideal for use in retail displays, museum cases, storage boxes, and custom enclosures. They provide a secure, tamper-resistant closure while maintaining a clean, modern appearance.

### Installation Tips

For best results, align the acrylic hasp with your enclosure's edge and secure using adhesive suitable for acrylic. Pair with our acrylic hinges for a complete, professional solution.

**Note:** See our Brass Padlocks to use with our Hasp.

**ABC Plastics, Inc. is the Original Designer & Manufacturer of the Hasp**

**FAQ:** [click link below.](#)

[FAQ: Acrylic Hasp](#)

---

[hasp hasp](#)

Units in box: 1

// //