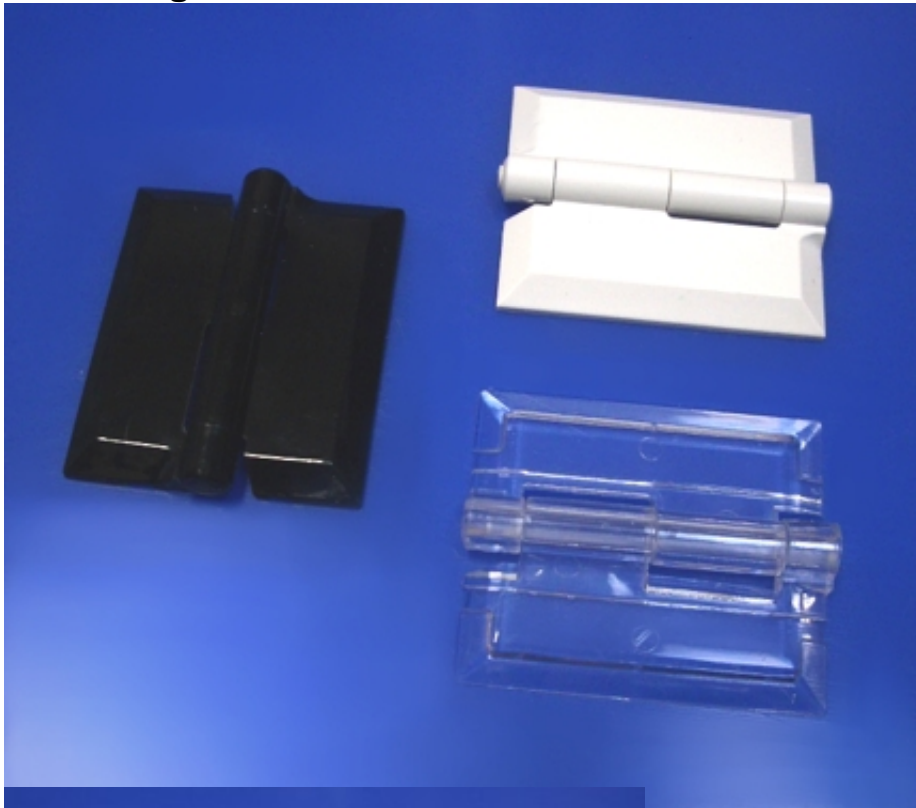


## Deco-Hinge 2



Part #22C - Clear Acrylic DR101 Deco-Hinge 2 - Sold in Pairs

~~Price~~ ~~Net Cost~~ ~~Yet~~

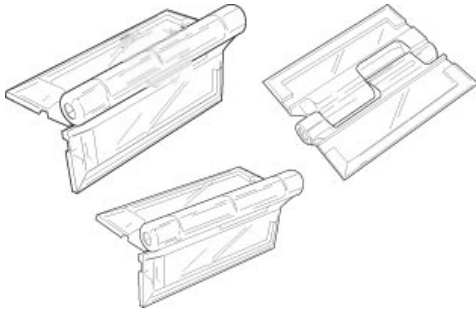
Tax amount

[Ask a question about this product](#)

Description

**#22C Deco Hinge Clear Acrylic**

**Material:** Acrylic DR101 (Clear), ABS (Black), ABS (White), PETG (Clear)



**Solvent Bondable:** Acrylic, ABS, Styrene, and Polycarbonate. (Large gluing surface for maximum strength).

**Traditional:** Identical to the Deco-Hinge but with 90° corners.

**Thick Wall:** Heavy wall thickness for maximum tensile strength.

**Size:** 1-3/4" L x 1-1/2" W x .16" T (44 mm x 38 mm x 4 mm)

\*\*\*\*\***REDUCED PRICING ON SPRING-LOADED HINGES!!!**\*\*\*\*\*

---

The #22C-PETG, Clear PETG Hinge is available by special order.

Units in box: 1

// //