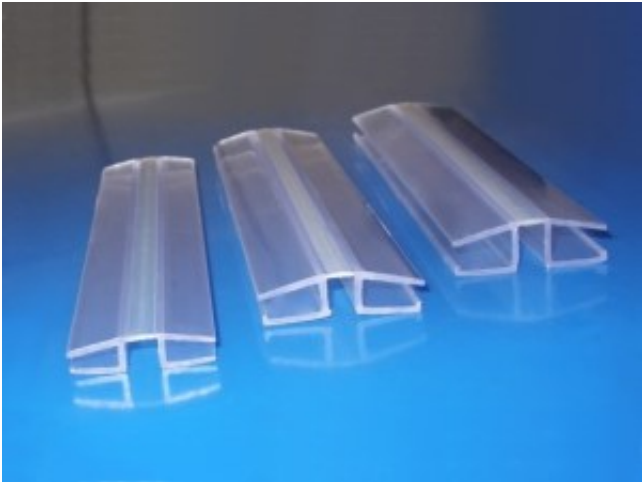
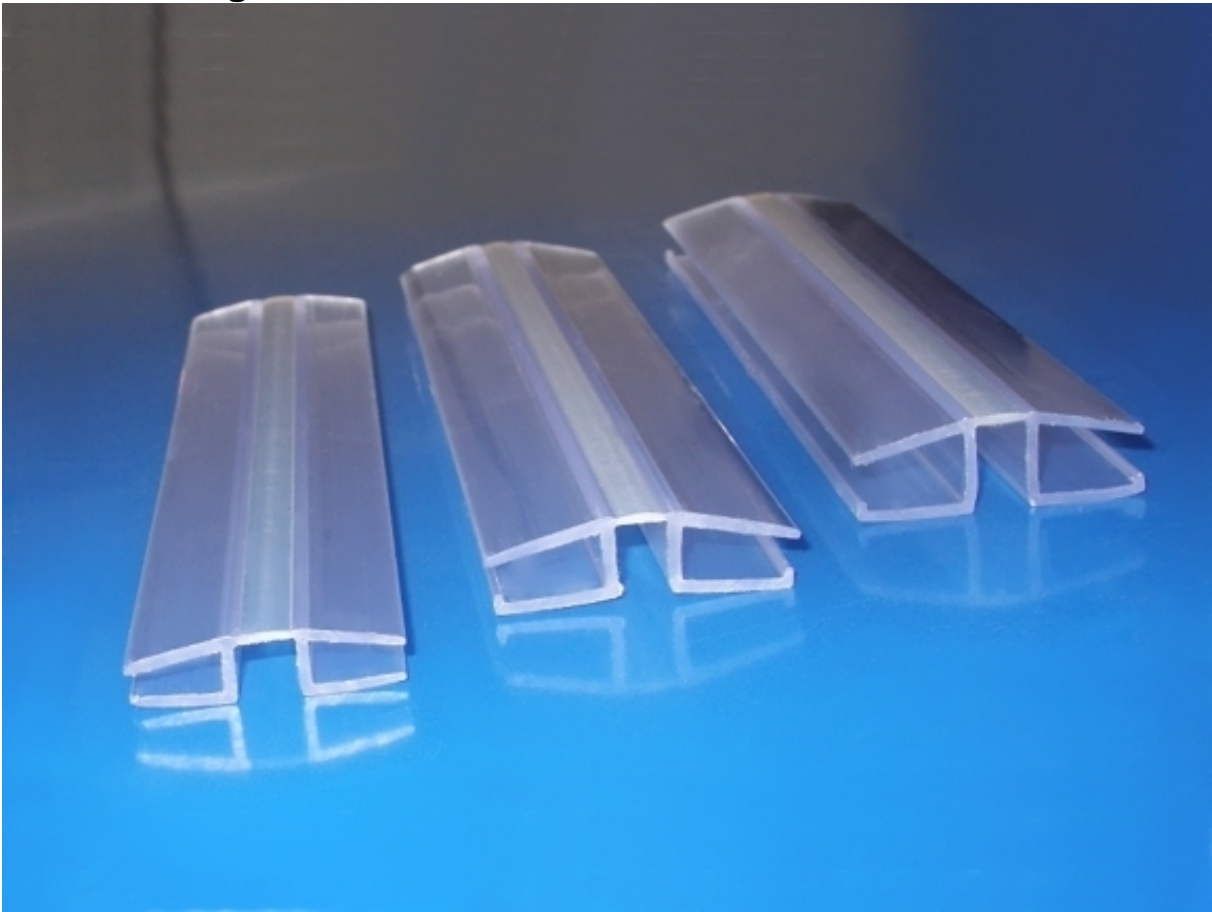


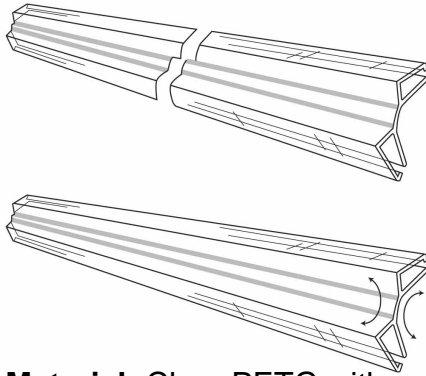
Slide-On Hinge 72"



For 1/8", 3/16", and 1/4" material.
~~Price Not Set~~ Yet
Tax amount

[Ask a question about this product](#)

Description **72" Slide on Hinge - with Clear Urethane Center**



Material: Clear PETG with semi-clear Urethane center.

This has [UV protection](#) and can be used outdoors.

- “Applications for Slide-On Plastic Hinges”

Common uses (display cases, enclosures, retail fixtures)

- “Why Choose ABC Plastics Slide-On Hinges?”

Benefits (durability, easy installation, outdoor use)

Time Saving: Completely eliminates the need to solvent bond hinge to lid or door.

- “Available Sizes: 49” & 72” Slide-On Hinges”

Attachment: Choose from 3 sizes that mounts to most any hard material that is 1/8” (3 mm) to 1/4” (6 mm) in thickness by sliding the hinge along the edge of plastic.

Size Assembled: 1-1/4” W x 72” L (32 mm x 1829 mm)

Our slide-on acrylic hinges are designed for quick installation on plastic panels of various thicknesses for display cases, retail fixtures, and custom enclosures. Manufactured from clear PETG, these hinges offer UV protection for both indoor and outdoor use.

Units in box: 1

//