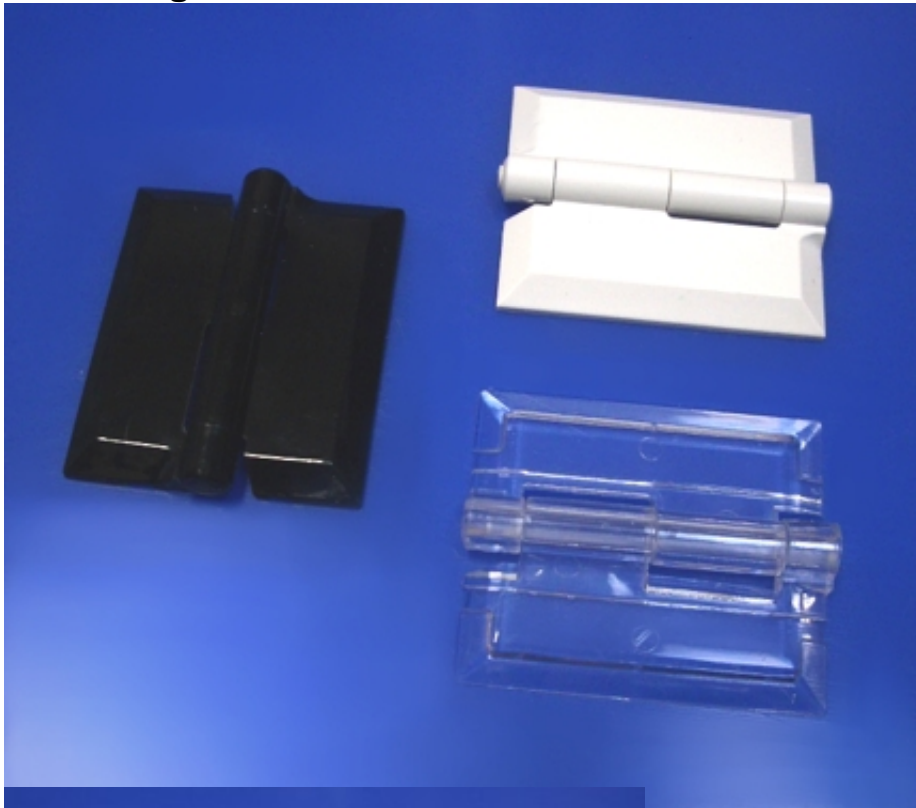


Deco-Hinge 2



Part #22C - Clear Acrylic DR101 Deco-Hinge 2 - Sold in Pairs

~~Price~~ ~~Net Cost~~ ~~Yet~~

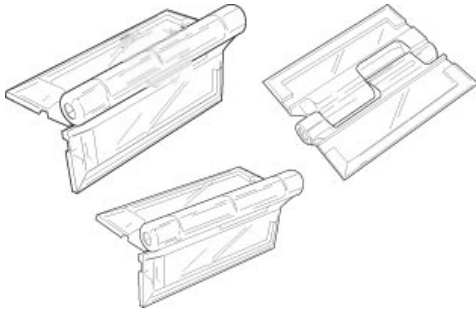
Tax amount

[Ask a question about this product](#)

Description

#22C Deco Hinge Clear Acrylic

Material: Acrylic DR101 (Clear), ABS (Black), ABS (White), PETG (Clear)



Solvent Bondable: Acrylic, ABS, Styrene, and Polycarbonate. (Large gluing surface for maximum strength).

Traditional: Identical to the Deco-Hinge but with 90° corners.

Thick Wall: Heavy wall thickness for maximum tensile strength.

Size: 1-3/4" L x 1-1/2" W x .16" T (44 mm x 38 mm x 4 mm)

*******REDUCED PRICING ON SPRING-LOADED HINGES!!!*******

The #22C-PETG, Clear PETG Hinge is available by special order.

Units in box: 1

// //