

# ABC Plastics | Acrylic Hinges | Plastic Turntables | Acrylic Hasps | Brochure Holders | Plastic hinges |

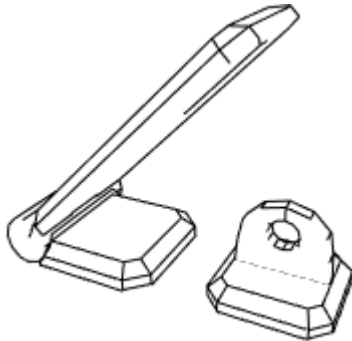
*ABC Plastics, Inc.*

## Hasp

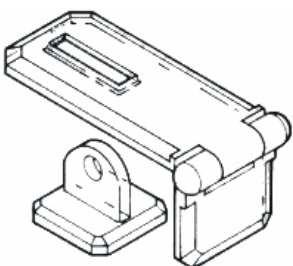
\$0.54



Hasps



**Material:** Acrylic DR101 (Clear), ABS (Black & White)



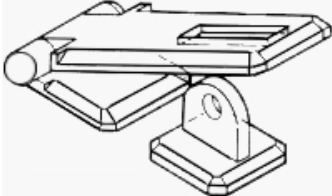
**Reversible Locking System:** Bottom section of hasp is reversible for either corner or flat mounting. Predetermine assembly before inserting pin completely!

**Decorative:** Faceted edges enhance appearance of display or box.

**Thick Wall:** Heavy wall thickness for maximum tensile strength.

**Size:** 2-3/8" L x 1-1/16" W x .16" T (60 mm x 27 mm x 4 mm)

**Note:** See our Brass Padlocks to use with our Hasp.



**ABC Plastics, Inc. is the Original Designer & Manufacturer of the Hasp**

[Vendor Information](#)

**Customer Reviews:** There are yet no reviews for this product.  
Please log in to write a review.